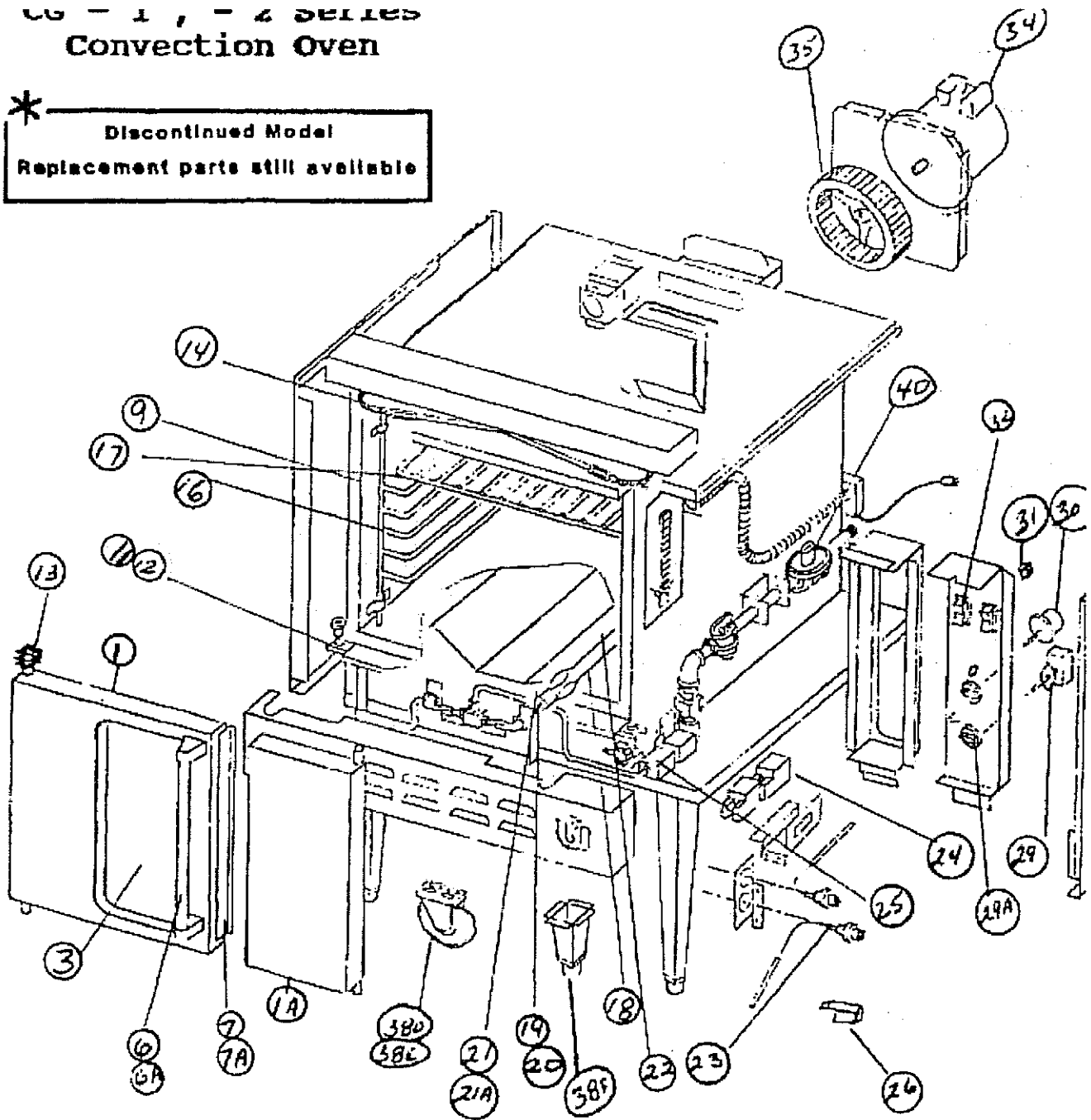


# CG - 1, - 2 Series Convection Oven

\*  
**Discontinued Model**  
Replacement parts still available



\* Discontinued Model  
Replacement parts still available

## CG - 1 , - 2 Series Convection Oven

Item No	Part No	Description
1	264052	Door assy w/window - L/H - Complete
1A	264071	Door assy - R/H - Complete
2	264056	Door frame assy - L/H
2A	264074	Door frame assy - R/H
3	224067	Window assy
4	264054	Inner door liner - L/H
4A	264073	Inner door liner - R/H
5	264053	Outer door panel - L/H
5A	264072	Outer door panel - R/H
6	221187-2	Door handle
6A	224225	Door handle bracket
7	264144	Center door seal - R/H
7A	264143	Center door seal - L/H
8	264103	Manifold baffle
9	264068	Door gasket - Top
9A	264069	Door gasket - BTM
9B	264070-1	Door gasket - R/H
9C	264070-2	Door gasket - L/H
10	264123	Heat baffle
11	264077	Door hinge bracket
12	223263	Bushing - 5/8"
13	223264	Sprocket - 5/8"
14	259291	Door chain assy
15	264093-3	Oven top assy
15A	264093-4	Oven bottom assy
15B	264004-1	Oven back - Porc.
16	226055	Oven rack support - L/H & R/H
17	226056	Oven rack - 27 1/8" x 20 1/2"
18	222156	Burner assy
19	223000-1	Orifice elbow
20	223242-39	Burner orifice - NAT
20A	223242-52	Burner orifice - LP
21	227180	Pilot assy - NAT
21A	227180-1	Pilot assy - LP

\*Quantities vary depending on model number

\*\*Item not shown on drawing

**\* Discontinued Model  
Replacement parts still available**

## CG - 1 , - 2 Series Convection Oven

Item No	Part No	Description
22	227179	Igniter
23	227175	Flame switch
24	227168	Spark module
25	227160-3	Solenoid valve
26	227152	Micro switch / Door switch - Push button type
27	228272	Electronic assy - circuit board
28	228273	Transformer - 115V
29	227155	Thermostat / Electric - "KX" type
29A	224230-1	Knob & Set screw
30	228265	Timer - 5 HRS.
31	227157	Buzzer
32	228264-1	Switch - 3 way - "ON/OFF/COOL DOWN" (white)
32A	228264	Power switch - "ON/OFF"
33	228007-3	Indicator light (Red)
34	228283	Motor - 1/2" HP. (Howell)
35	228002	Blower wheel/Fan
36	224264	Light cover - Glass
37	228005	Light bulb - 40w
38	264080-1	Leg assy - 29"
38A	264080-3	Leg / Caster assy - 29" - w/o brakes
38B	264080-4	Leg / Caster assy - 29" - w/brakes
38C	223278	Adj. foot
38D	223257	Casters w/o brakes - Optional
38E	223258	Casters w/brakes - Optional
38F	264080-2	Leg assy - 6"
39	264110	Flue extension assy - double
**	228052-13	Pressure regulator - 3/4" NAT
**	228052-14	Pressure regulator - 3/4" LP

\*Quantities vary depending on model number

\*\*Item not shown on drawing