

REV. 0
Restaurant Fryers.dwg

GARLAND PARTS IDENTIFICATION
HEAVY DUTY FRYERS MODELS 680-31F; 680-31FBL, 680-31SF, 680-31SFBL

ITEM	PART #	DESCRIPTION	MODEL			
			QTY			
			680-31F	680-31FBL	680-31SF	680-31SFBL
1	1027600	Leg Retainer 6" (Std.)	4	4	4	4
2	1150502	Bullet Legs	4	4	4	4
3	1027801	Swivel Caster C/W Brake	2	2	2	2
	1027800	Swivel Caster Less Brake	2	2	2	2
4	2174800	Door Panel	1	1	1	1
5	G02308-1-8	Door Lining	1	1	1	1
6	2533900	Door Handle	1	1	1	1
7	2671600	Catch-Double Roller #603-2G	1	1	1	1
8*	G02309-01-9	Door Hinge Assembly	2	2	2	2
9	G02317-2-9	Switch Panel	1	1	1	1
10	G02452-1-8	Grease Pan	1	1		
11	G02453-1-9	Grease Pan Handle			1	1
10	G01894-01	Thermostat 2 Terminal	1	1	1	1
11	G02716-1	Dial - (Universal) Small Shaft	1	1	1	1
	G02725-20	Dial Insert (OFF/200F/375F)	1	1	1	1
12	G01296-2	Pilot Amber	1	1	1	1
	G01296-1	Pilot Red 240V	1	1	1	1
13	G01864-1	Toggle Switch	1	1	1	1
14	G01487-3	Heyco Bushing 7/8IDX1 39/64OD	4	4	4	4
15*	1637002	Main Contactor Pole 240V	2	2	2	2
16	G01499-1	Ground Terminal 105A Large SLU-70	1	1	1	1
17*	G02504-460	Transformer 460V (High Voltage Only)	1	1		
	1033700	Transformer			1	1
18*	1193900	Terminal Block - 3 Pole-Hi Voltage	1	1	1	1
19	1123597	Rotating Head Assembly	1	1	1	1
20*	G02156-1	Rotating Head Latch Return	1	1	1	1
21*	1123505	Stop Bracket	1	1	1	1
22	G1156-1	Straight Thru Fitting	6	6	6	6
23	1143900	LCH Safety Limit Control	1	1	1	1
	1092900	LCC Control	1	1	1	1
24	1116100	Boot Plate	1	1	1	1
	1116000	Fryer Boot Flush Mounted	1	1	1	1
25	1123511	Rotating Head Cover	1	1		
26	G02295-01-8P	Main Top Assembly (Plated)	1	1	1	1
27	G1551-2	Element L/H 208V,4KW	1		1	
	G1551-4	Element L/H 240V,4KW	1		1	
	G1551-10	Element L/H 440/480V,4KW	1		1	
	G1551-12	Element L/H 208V,4.5KW		1		1
	G1551-14	Element L/H 240V,4.5KW		1		1
	G1551-16	Element L/H 440/480V,4.5KW		1		1
28	G1550-1	Element Center 208V,4KW	1		1	
	G1550-2	Element Center 240V,4KW	1		1	
	G1550-5	Element Centre 440/480V,4KW	1		1	
	G0476-01	Element Center 208V,7 KW		1		1
	G0476-02	Element Center 240V,7 KW		1		1
	G0476-03	Element Centre 440V/480V,7KW		1		1
29	G1551-1	Element R/H 208V,4KW	1		1	
	G1551-3	Element R/H 240V,4KW	1		1	
	G1551-9	Element R/H 440/480V,4KW	1		1	

* NOT ILLUSTRATED

RECOMMENDED STOCK PARTS

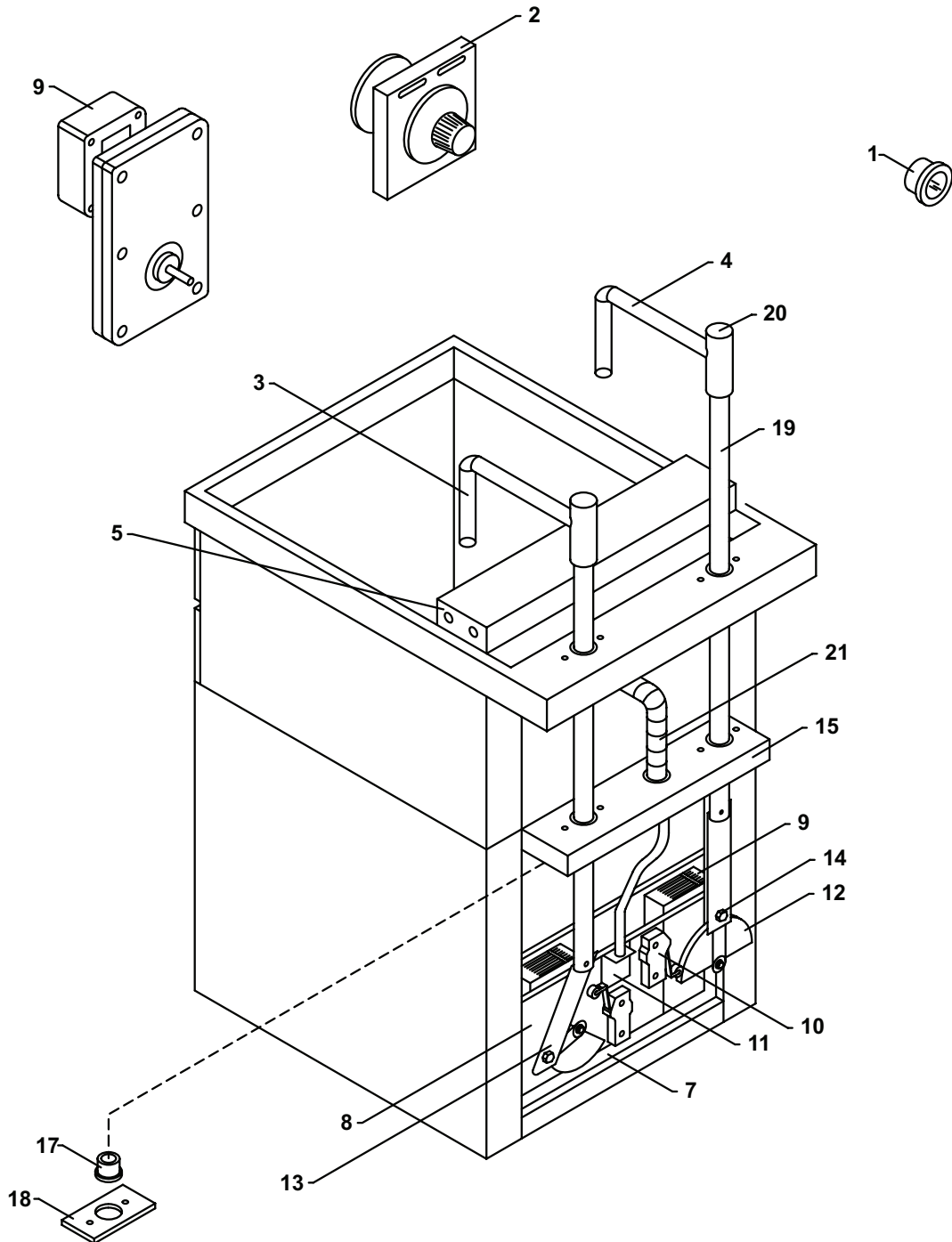
GARLAND PARTS IDENTIFICATION
HEAVY DUTY FRYERS MODELS 680-31F; 680-31FBL, 680-31SF, 680-31SFBL

ITEM	PART #	DESCRIPTION	MODEL			
			QTY			
			680-31F	680-31FBL	680-31SF	680-31SFBL
29 Cont	G1551-11	Element R/H 208V,4.5KW		1		1
	G1551-13	Element R/H 240V,4.5KW		1		1
	G1551-15	Element R/H 440/480V,4.5KW		1		1
30	G1570-1-9	Tie Bar Support	1	1	1	1
31	G02099-1	Element Lifting Handle NI. PLT	1	1	1	1
32	F300	Clip-Tinnerman	2	2	2	2
33	GF139	Clamp Tinnerman	6	6	6	6
34	G02698-2	Basket Twin L/H	1	1		
35	G02698-1	Basket Twin R/H	1	1		
36*	G02699-1	Basket Single (Optional)				
37*	G01075-1-8	Twin Basket E18BL 10-31BL			2	2
38	G02692-01-8P	Frytank Assembly (Plated)W/Drain	1	1	1	1
	G02692-02-8P	Frytank Assembly (Plated) No Drain	1	1	1	1
39	G2941-1P	Valve 1" Gate - Plated	1	1	1	1
40*	1144300	Filter Basket Chrome Plated (Optional)	1	1	1	1
41*	1094600	10" Filter Cone (G70) (Optional)	5	5	5	5
42*	G0599-1-9	Frytank Cover (Optional)	1	1	1	1
43	G02302-01-7	Contacto Enclosure Assembly	1	1	1	1
44	G02303-1-7	Contacto Enclosure Cover	1	1	1	1
45*	1333198	Hinge Bracket Assembly Lt	1	1	1	1
	1333199	Hinge Bracket Assembly Rt	1	1	1	1
46	1902918	Nameplate - GARLAND 7 3/4	1	1	1	1

* NOT ILLUSTRATED

RECOMMENDED STOCK PARTS

NOTES



Basket Lift Fryers.dwg

GARLAND PARTS IDENTIFICATION

HEAVY DUTY FRYER

Models: 36ES11-BL, 36ES11-SFBL, 680-31FBL, 680-31SFBL

ITEM	PART #	DESCRIPTION	ALL MODEL S
			QTY
1	1143600	1" Nickel Plated Finger Ring	2
2	G02721	Timer 208/240	2
	G03688-1	Dial 15 Minutes Std	2
3	1142894	Basket Support Arm Assembly Lt	1
4	1142895	Basket Support Arm Assembly Rt	1
5	1142101	Roller Arm Rotating Head	2
6*	G01102-1	Roller Basket Lift #8100194	2
	G01075-1-8	Twin Basket E18BL 10-31BL	2
7	1142598	Motor Mount Angle Assembly	2
8	G01060-1-7	Motor Mount Plate	2
9	G01136-2	Motor 208/240V (USE F807-0108)	2
10	G01137	Micro Switch (Roller Type)	2
11	1142502	Cable Support	1
12	G01103-1	Bell Crank	2
13	1142600	Drive Bar	2
14	G01641-1	Conduit Bushing 3/4	4
15	1142200	Rear Channel Support	1
16	1142401	Bushing Retainer Bottom	2
17	1011203	Bronze Bushing	6
	1142400	Bushing Retainer Top	2
18	1142402	Bushing Retainer Bottom	2
19	1140600	B/L Fryer Lift Rod	2
20	G01278-2	5/8 Plug Button	2
21	1029414	NOT FOUND	1
* NOT ILLUSTRATED			
RECOMMENDED STOCK PARTS			

GARLAND PARTS IDENTIFICATION
Revision History

REV. #	PAGE #	ITEM #	NOTE	DATE
1	6	43	New part number - was GF139	April 1/05
	14	33		

NOTES

 **GARLAND**