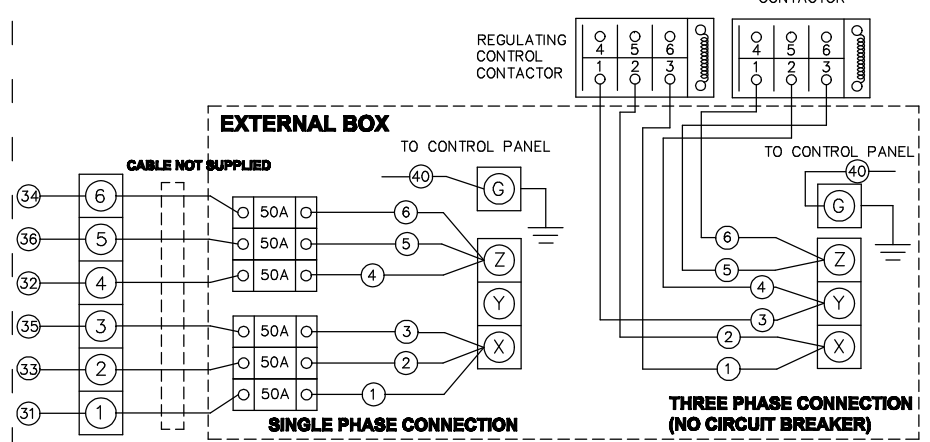
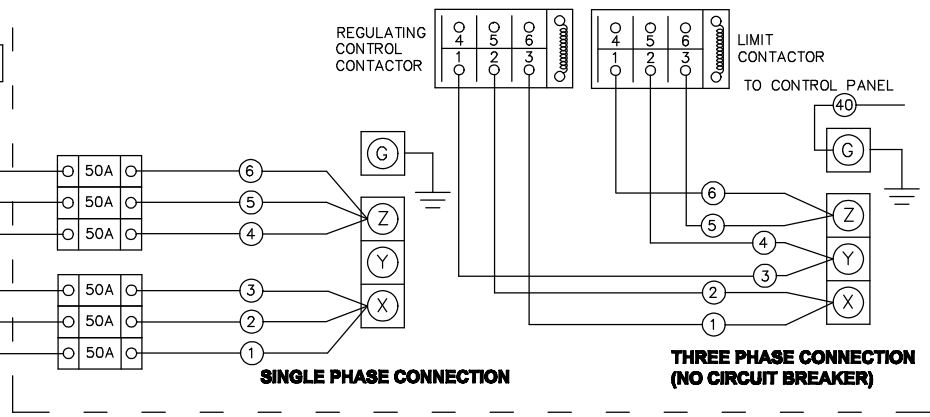


36ET11-SF TERMINAL BLOCK



36ES11-SF TERMINAL BLOCK



MODEL	TOTAL K.W. LOADING		K.W. LOADING PER PHASE						NOMINAL AMPS PER PHASE								
			240V			208V			1 PHASE			3 PHASE					
	240V	208V	X-Y	Y-Z	X-Z	X-Y	Y-Z	X-Z	240V	208V	X	Y	Z	X	Y	Z	
36ES11-SF, 36ET11-SF	16.0	16.0	4.5	4.5	7.0	4.5	4.5	7.0	66.7	76.9	41.8	32.5	41.8	48.3	37.5	48.3	

REV	DESCRIPTION	DR.	DATE	APPR.
REVISIONS				
TOLERANCES (EXCEPT AS NOTED)		ALL DIMENSIONS ARE IN INCHES		
±.031		ANG. ±2°		
DR:	APPR.	SCALE:	DATE:	
N.B.		N/A	JAN 11/03	
TITLE:				
36ES11-SF 208V-240V				36ES11-SF, 36ET11-SF
GARLAND				4515530
COMMERCIAL RANGES LIMITED MISSISSAUGA, ONTARIO, CANADA				SHT 1 OF 1