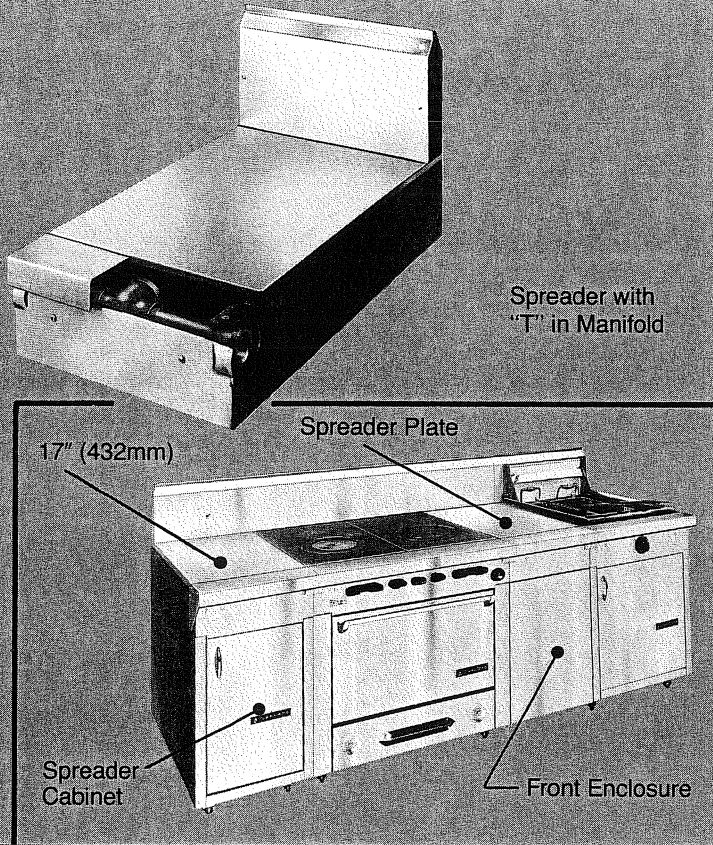


- Model 40-SP Series SPREADER PLATES
- Model 40-FE Series SPREADER PLATES W/FRONT ENCLOSURE
- Model 40-ES Series SPREADER CABINET W/1 or 2 DOORS

40 SERIES GAS/HEAVY DUTY

SPREADER PLATES & CABINETS



Shown with Low Profile Backguard

SPREADER PLATE

Spreader plates provide additional work space between ranges and at the end of a battery. A 1 1/4" N.P.T. manifold joins adjacent equipment for a continuous battery design, protected by a stainless steel manifold cover. A 1 1/4" N.P.T. "T" manifold is available for rear gas line connections. Up to five units on each side of "T". Standard widths 6", 9", 17", and 34" (Special sizes are available.) Spreader plate is available with front enclosure or mounted on cabinet base.

FRONT ENCLOSURE

Spreader plate is provided with a stainless steel completely removable front enclosure from manifold cover down to bottom of adjacent units. Available in 6", 9", 17", and 34" widths, enclosures are designed to give equipment a finished appearance. (Special sizes are available.)

CABINETS

Stainless steel doors with charcoal baked enamel sides, spreader cabinets are complete cabinets, providing convenient, concealed and

FEATURES

- Stainless steel front is standard.
- 1 year limited parts and labor warranty is standard.
- Polished steel top plate and formed front rail.
- 1 1/4" N.P.T. gas manifold is standard.
- Optional 1 1/4" N.P.T. "T" in manifold is for rear gas line connections.
- Spreader plates with/without front enclosures are available in 6", 9", 17", 34" widths. (Special size available on request).
- 17" wide Spreader Cabinet has one stainless steel door, standard.
- 34" wide Spreader Cabinet has 2 stainless steel doors, standard.

OPTIONS and ACCESSORIES

- Stainless Steel left side
- S.S. right side
- S.S. both sides
- S.S. back
- Double Deck S.S. Hi-Shelf
- Single Deck S.S. Hi-Shelf
- 10" S.S. Low Profile Backguard
- 17" S.S. Backguard

sanitary storage for pots and pans. Available in 2 widths, 17" wide with 1 stainless steel door, and 34" wide with 2 stainless steel doors. Metal floors are standard in both cabinets.

SPREADER PLATES & CABINETS

GAS/HEAVY DUTY



40 SERIES
17" Wide ×
35" Deep

CONSTRUCTION & FINISH

Top plate and heavy gauge front rail are polished cold rolled steel. Stainless steel front manifold cover. Cabinets are constructed with channel formed base and front frame of heavy gauge welded steel. Stainless steel front including door(s) is standard.

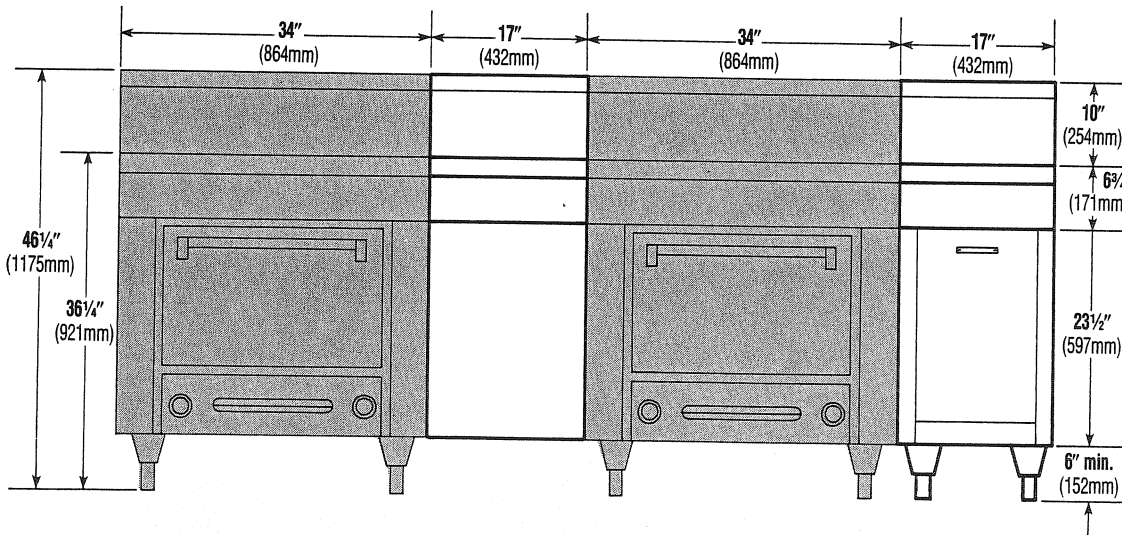
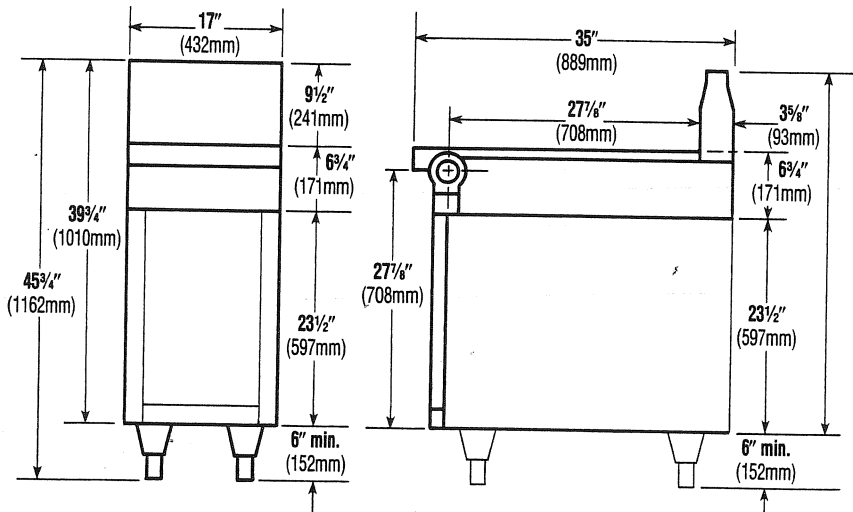
DIMENSIONS

Width	SP	FE	ES
	6"	6"	—
	9"	9"	—
	17"	17"	17"
	34"	34"	34"
Depth	35"	35"	35"
Height w/NSF Legs	36¼"	36¼"	36¼"
Height less NSF Legs	6¾"	30¼"	30¼"

LEGEND

SP = Spreader Plate
FE = Spreader Plate with Front Enclosure
ES = Spreader Cabinet with 1 or 2 doors.

Note—Shown with 10" Low Profile Backguard. Double Deck Hi-Shelves, Single Deck Hi-Shelves, and 17" Backguards are also available.



Continuous product improvement is a Garland policy, therefore specifications and design are subject to change without notice.

GARLAND
AWELBIT Company

Garland Commercial Industries, Inc.
Freeland, Pennsylvania 18224

Phone (717) 636-1000
Telex 887610

Printed in U.S.A.