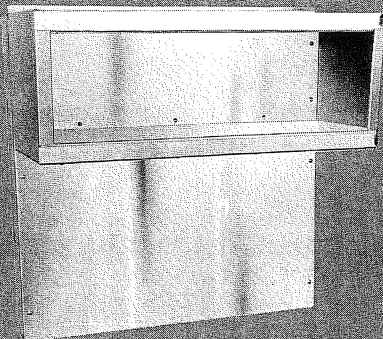


- DOUBLE DECK HI-SHELVES (DDHS)
- SINGLE DECK HI-SHELVES (SDHS)
- 17" BACKGUARD (BG)
- 10" BACKGUARD (LPBG)
- VERTICAL FLUE RISERS

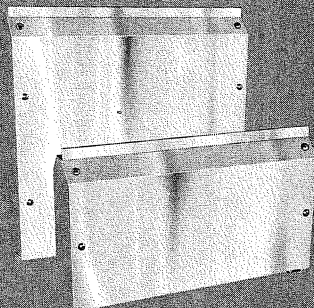
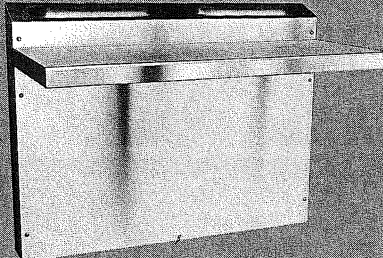
## 40 SERIES GAS/HEAVY DUTY

### SHELVES, BACKGUARDS & FLUE RISERS

Double Deck Hi-Shelves



Single Deck Hi-Shelves



17" & 10" Backguards



Vertical Flue Risers

### FEATURES

- Stainless steel front and both sides are standard.
- Provides recommended unit venting for safe & efficient operation of all 40 Series ranges, attachments and fryers.
- Designed for easy and precise attachment to all 40 Series ranges and equipment.
- Easily installed or removed from front of ranges already in permanent position.
- Available optional S.S. main back
- Available in range of 8 standard sizes up to a maximum of 68 inches.
- End caps are available to finish open ends of Double Deck Hi-shelves.

### DOUBLE & SINGLE DECK HI-SHELVES

Double and Single Deck Hi-Shelves are precision-designed to install with all 40 Series ranges, attachments, and fryers up to a maximum width of 68 inches. (Special sizes can be ordered). Shelves provide convenient storage for condiments and cooking utensils. Hi-Shelves are easily cleaned, installed and removed while range is in permanent position.

### BACKGUARDS

Backguards (17" high) and low profile backguards (10" high) are precision-designed to install with all 40 Series ranges, attachments and fryers up to a maximum of 68 inches. (Special sizes can be ordered.) Backguards provide venting for safe, efficient operation of 40 Series equipment. Backguards are easily cleaned, installed and removed while range is in permanent position.

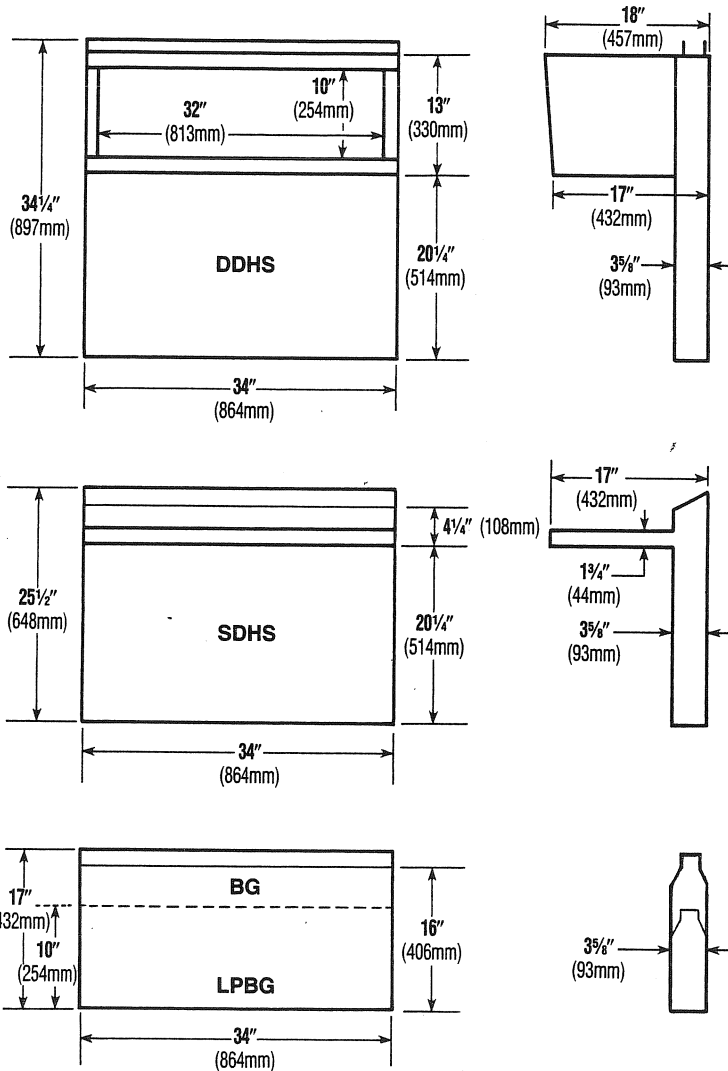
### VERTICAL FLUE RISERS

Vertical Flue Risers without Hi-Shelf arrangement are also available. One flue riser is required for each unit. Vertical flue risers measure 13" wide by 3" deep by 33" high and standard finish is stainless steel. Flue risers direct exhaust gases from back-to-back range installations and other installations where channeled ventilation is necessary.

# SHELVES, BACKGUARDS & FLUE RISERS

## GAS/HEAVY DUTY

## DIMENSIONS

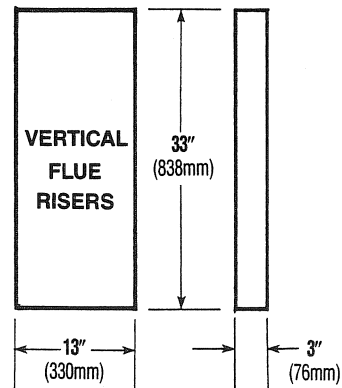


	DDHS	SDHS	BG	LPBG
Width	17"	17"	17"	17"
	24"	24"	24"	24"
	34"	34"	34"	34"
	41"	41"	41"	41"
	48"	48"	48"	48"
	51"	51"	51"	51"
	58"	58"	58"	58"
68"	68"	68"	68"	
Depth	18"	17"	3 5/8"	3 5/8"
Height	34 1/4"	25 1/2"	17"	10"

**VERTICAL FLUE RISERS**  
13" x 3" x 33"

### LEGEND

- DDHS = Double Deck Hi-Shelves
- SDHS = Single Deck Hi-Shelves
- BG = Backguard
- LPBG = Low Profile Backguard



### CONSTRUCTION & FINISH

Formed end supports made of heavy gauge steel. Stainless steel front and sides are standard. Aluminized steel main back.



Continuous product improvement is a Garland policy, therefore specifications and design are subject to change without notice.

**GARLAND**  
A **WELBIT** Company

Garland Commercial Industries, Inc.  
Freeland, Pennsylvania 18224

Phone (717) 636-1000  
Telex 887610

Printed in U.S.A.