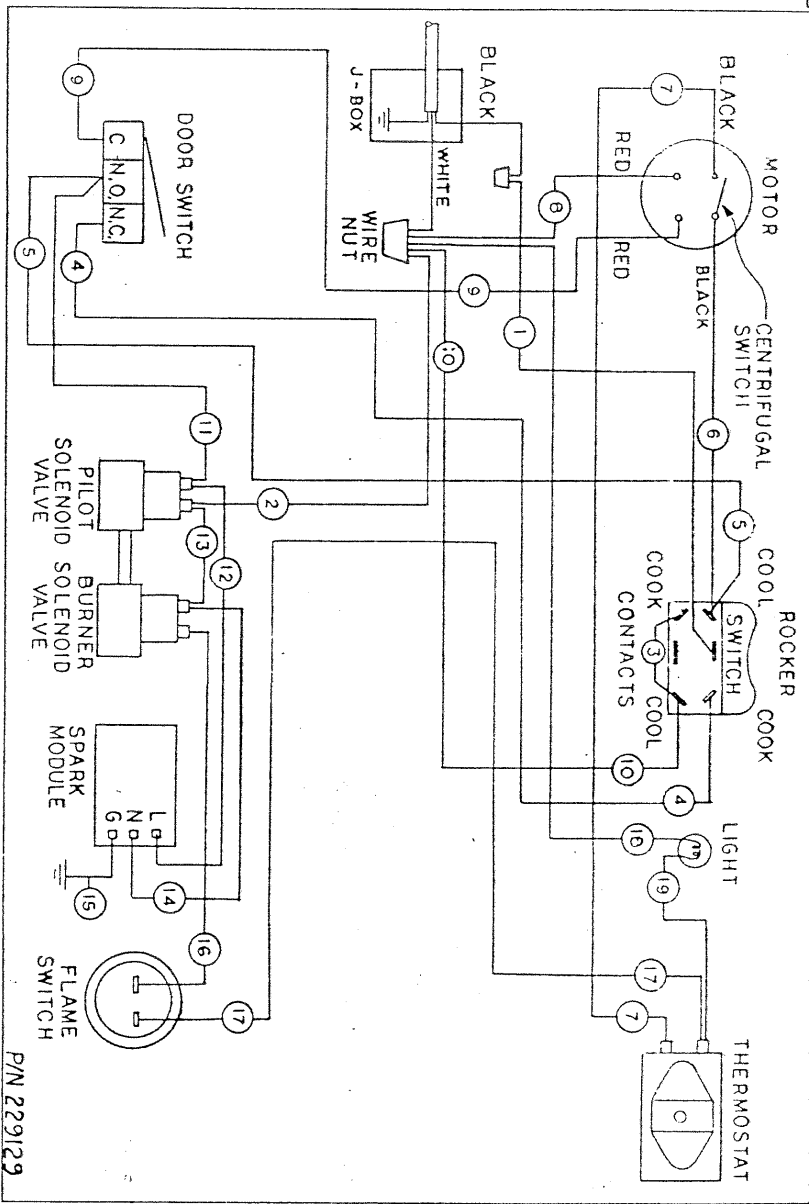


DATE	REVISION	LTH	ECR

"THIS PRINT IS THE PROPERTY OF U.S. RANGE CO. AND IS SUBJECT TO RECALL AND RETURN ON DEMAND. ANY USE, REPRODUCTION, REPRODUCTION, DUPLICATION, TRANSMISSION, OR USE OF THIS PRINT WITHOUT THE WRITTEN PERMISSION OF U.S. RANGE CO. IS FORBIDDEN AND SUBJECT TO PENALTY AND REPRODUCTION." (mirrored text)

PART NO.
229129



- NOTES:
1. MATERIAL: #7941 AL FOIL .002 THK.
 2. ADHESIVE: #200 HI PERFORMANCE ACRYLIC BY SCOTCHMARK
 3. INK: BLACK VF-III FLAT VINYL
 4. SIZE: 3 x 5

U.S. Range ALCO
 A Division of ALCO Foodservice Equipment Company
 1491 SOUTH BROADWAY • GARDENA, CALIFORNIA 90248
 TELEPHONE: AREA 213/708800

DESCRIPTION: **WIRING DIAGRAM LABEL**

TOLERANCES (UNLESS OTHERWISE SPECIFIED)
FRACTIONAL ± 1/32
DECIMAL .XX ± .015
DECIMAL .XXX ± .005
ANGULAR ± 1/4°

DO NOT USE REFERENCE DIMENSIONS.

MATERIAL: SEE NOTES	FOR: PF II 60" UNIT CONVECTION OVEN	WEIGHT:
DRAWN DENNIS DATE 12-16-87	SCALE:	DWG. NO. 229129
CHECKED RB DATE 1/7/88		

DIETARY POST WORKER NO. 10951