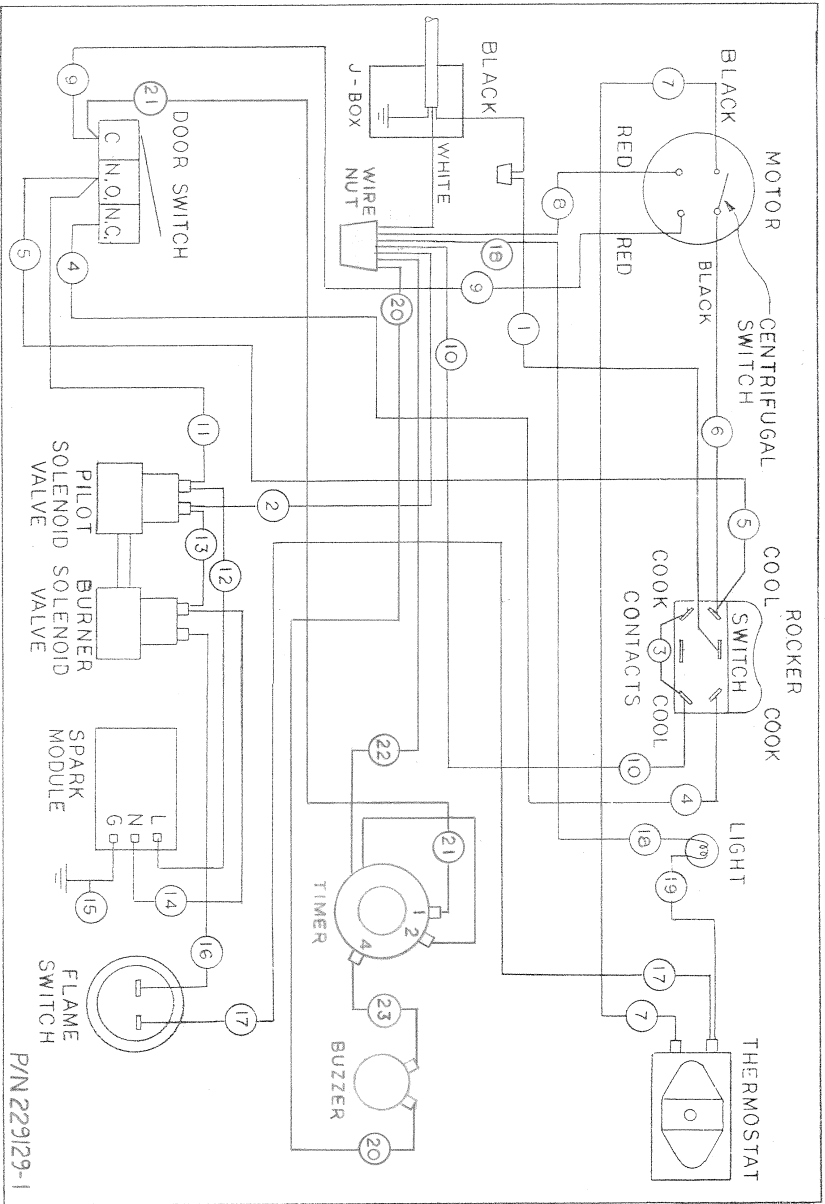


DATE	REVISION	LTR	EOR

THIS PRINT IS THE PROPERTY OF U.S. RANGE CO. AND IS SUBJECT TO RECALL AND RETURN ON DEMAND. ANY USE, DISCLOSURE, REPRODUCTION OR DUPLICATION OF THIS PRINTING OR USE OF IN RANGE CO. IS FORBIDDEN. ALL RIGHTS OF DESIGN OR INVENTION ARE RESERVED.

PART NO.
229129-1



- NOTES:
1. MATERIAL: #7941 AL FOIL .002 THK.
 2. ADHESIVE: #200 HI PERFORMANCE ACRYLIC BY SCOTCHMARK
 3. INK: BLACK VF-III FLAT VINYL
 4. SIZE: 3x5

U.S. Range **ALCO**

A Division of ALCO Foodservice Equipment Company
 14501 SOUTH BROADWAY • GARDENA, CALIFORNIA 90248
 TELEPHONE: AREA 213/770-8800

DESCRIPTION: **WIRING DIAGRAM LABEL**

TOLERANCES (UNLESS OTHERWISE SPECIFIED)	
FRACTIONAL	± 1/32
DECIMAL	.XX ± .015
DECIMAL	.XXX ± .005
ANGULAR	± 1/2°

DO NOT USE REFERENCE DIMENSIONS.

MATERIAL: SEE NOTES		FOR: P/F II 36" UNIT CONVECTION OVEN		WEIGHT:	
DRAWN	DENNIS	DATE	12-16-87	SCALE:	
CHECKED	R B	DATE	1/7/88	DWG. NO.	229129-1

DIERICH POST REORDER NO. 100951